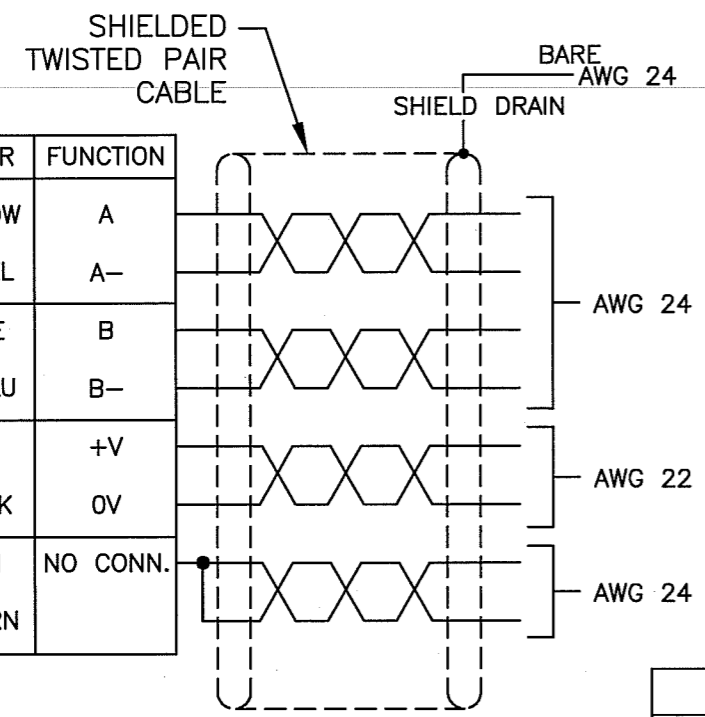
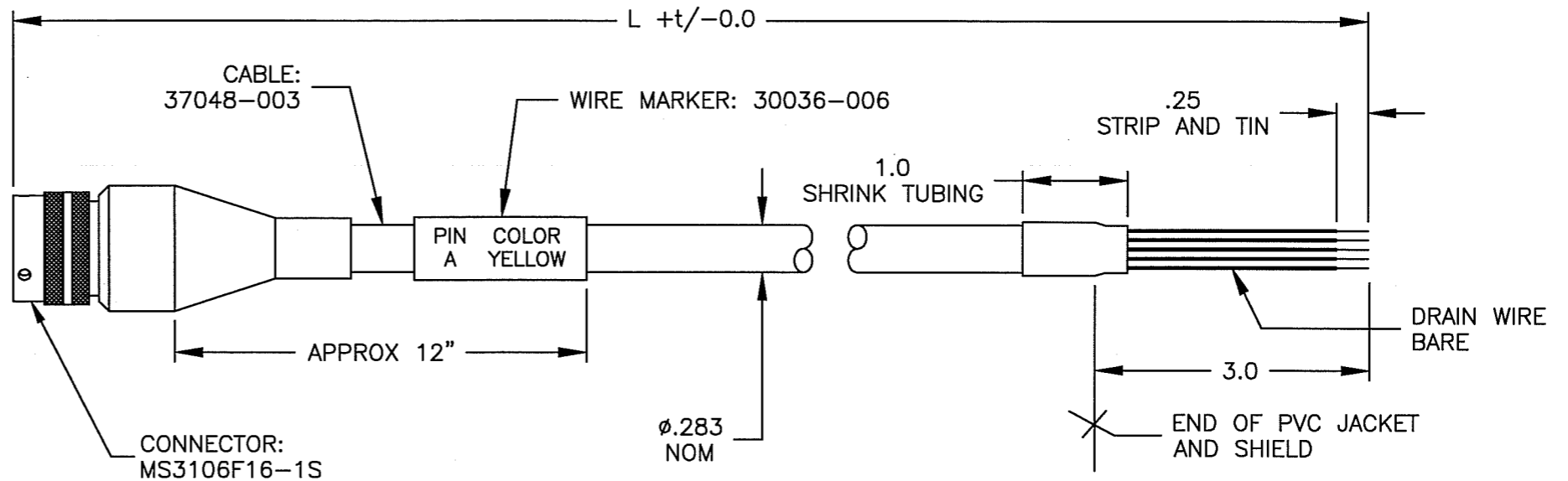


CABLE DESCRIPTION:
 TINNED COPPER, PVC INSULATED,
 OVERALL FOIL ALUMINUM-POLYESTER SHIELD,
 24 AWG STRANDED TINNED COPPER DRAIN WIRE,
 OVERALL TINNED COPPER BRAID SHIELD, 6% COVERAGE
 (65% COVERAGE), CHROME PVC JACKET.

CONDUCTORS:
 AWG PER TABLE
 4 TWISTED PAIRS
 NOMINAL IMPEDANCE: 100 OHM
 NOMINAL CAPACITANCE BETWEEN CONDUCTORS: 12.5pF/FT.
 NOMINAL CAPACITANCE BETWEEN ONE CONDUCTOR AND OTHER
 CONDUCTORS CONNECTED TO SHIELD: 22pF/FT.

APPLICATION:
 THIS CABLE IS INTENDED FOR SINGLE ENDED OUTPUT
 ENCODERS. (AB OR ABZ) AND DIFFERENTIAL LINE DRIVER
 OUTPUT ENCODERS WITH NO INDEX (ABC).

REVISIONS			
REV	DESCRIPTION	DATE	APPROVAL
A	REVISED TO BEI STD WIRE COLOR CODE	10/5/98	
B	ADDED LENGTH TOLERANCE	12/21/99	
C	ADD MOLDED BACKSHELL; DEL. CLAMP	6/12/01	
C1	ADD TOLERANCE "t"	11/20/07	



PIN	COLOR	FUNCTION
A	YELLOW	A
C	W/YEL	A-
B	BLUE	B
E	W/BLU	B-
D	RED	+V
F	BLACK	0V
	ORN	NO CONN.
	W/ORN	

WARNING:
 CABLE SHIELD IS FLOATED (NOT CONNECTED)
 AT CONNECTOR. SHIELD CONNECTION MAY BE
 REQUIRED FOR SAFETY OR NOISE IMMUNITY.

BEI P/N	CABLE LENGTH 'L' DIM	TOLERANCE 't'
924-31186-1610	10 FT	0.5'
924-31186-1620	20 FT	1.0'
924-31186-1630	30 FT	1.5'

Dims in [] are millimeters and tolerances are:
 .x = ± .25 .xx = ± .127 .xxx = ± .063

		UNLESS OTHERWISE SPECIFIED: DIMENSIONS ARE IN INCHES. TOLERANCES ARE: FRACTIONS DECIMAL ANGLES ± 1/64 .XX ±.01 ±0° 30' .XXX ±.005	THIS DOCUMENT CONTAINS PROPRIETARY INFORMATION OF BEI TECHNOLOGIES, INC. ANY REPRODUCTION, USE OR DISCLOSURE OF THIS DOCUMENT WITHOUT WRITTEN CONSENT OF BEI TECHNOLOGIES, INC. IS EXPRESSLY PROHIBITED.	
		REMOVE BURRS AND BREAK ALL SHARP EDGES .010 MAX. ALL DIA. TO BE © WITHIN .010	CONTRACT NO. N/A	
		MATERIAL NOTED	BEI INDUSTRIAL ENCODER DIVISION BEI TECHNOLOGIES, INC. 7230 Hollister Avenue Goleta, CA 93117-2891 Tel: (805) 968-0782 Fax: (805) 968-3154	
NONE		N/A	APPROVALS/ DATE	CABLE, SINGLE ENDED OUTPUT, 7-PIN CONN TWISTED PAIR, OVERALL SHIELD
NEXT ASSY		USED ON	DRAWN KRB <i>[Signature]</i> 11/20/07 ENGINEER N/A APPROVED <i>[Signature]</i> 11-20-07	
APPLICATION		FINISH NONE	DO NOT SCALE DRAWING	SIZE B FSCM NO. 1RB90 DWG. NO. 31186-16XX REV. C1 SCALE NONE FILE: 31186-16XX-C1 SHEET 1 OF 1